



**OREGON  
LOTTERY.**

Together, we do good things.

## Video Product Requirements & Specification for Equipment Placement

**IMPORTANT: VLT specifications are informational only. Please contact Oregon Lottery before beginning any construction or installation of power/cabling to schedule a consultation.**

These are the components for the Lottery’s video gaming system, Video Lottery Terminals (VLT) the iLINK and Router and Switch:

### Component Definitions:

**VLT:** A player operated terminal. Terminal types are listed in the table below.

**iLINK:** Control point for the video gaming system. Validates tickets for payment and provides accounting and information reporting.

**Router:** A network device used to direct electronic communication from one device on a network to another device on a network.

<b>TERMINAL TYPE</b>	<b>Height (In Inches)</b>	<b>Width (In Inches)</b>	<b>Depth (In Inches)</b>	<b>Weight (In Pounds)</b>	<b>VAC</b>	<b>Full Load AMP</b>
Aristocrat	74	28	26	275	100-240	1.6 A
IGT Crystal Dual 27	76	28	27	300	110-122	2.5 A
IGT TrimLine	75.5	28 (32)	23 (37)	300	110-122	6.0 A
IGT E20	82.25	28 (31)	22.5 (33)	300	108-132	6 A
Bally V32	75	28	22.3 (36.5)	288	110-122	6.3 A
Spielo prodiGi	76.5	28 (33)	22 (34)	265	100-120	3 A
Spielo Oxygen	76.5	28 (34)	23 (34)	290	100-132	3 A
Router 1841	1.75	13.5	10.5	6.41	120	1.0 A
Adtran Century Link Router	4	18	10	6	100-240	1.5 A
Router/Frontier	2	9.5	6.5	2	100-240	.6 A
HP Router/Switch	2	9.5	6.5	2	100-240	.7 A
iLINK/Stand	15.6 / 11	15.4 / 11	3.9 / 11	16 / 7	100-132	1.0 A
iLINK printer	9	8	13	7	100-132	1 A
Cradlepoint	4.8	4.8	1.65	1	12VDC	1 A
PoE Adapter/ Cradlepoint	3.5	2.25	1.5	1	48V	0.5 A

*Note: Measurements in parenthesis indicates when the door is open.*

**Ambient air temperature must be maintained between 40° – 100° F at all times.**

**Space Requirements:** OSL recommends a 4’X6’ foot print for each VLT in a Video play area, if a 4’X6’ footprint is unattainable, OSL will encourage a minimum of 6 inches of space between VLT bases. All VLTs must be readily accessible for service. Retailers must ensure at

least one VLT be wheelchair accessible. Wheelchair accessibility is defined as having a 60”X60” unobstructed area in front of the VLT.

**System Wiring Requirements:** The retailer is responsible for installing dedicated power and Cat 5e from the router area to the VLT area for new installs, remodels or relocations of equipment. Lottery requires Category 5e, plenum rated where required, UTP copper wiring that adheres to 568B wiring termination standards, including a face plate or biscuit which will be terminated with an RJ45 connector at each end of the cable. If installing conduit for Cat 5e wiring, it must be a minimum ½” ID with a minimum bend radius of 3”.

- Use of a licensed electrical contractor to obtain all permits and install all electrical service wiring is recommended. Unauthorized alteration, repairs or tampering with telephone, data or electrical service may result in interrupted service and a charge for repairs.

**Input Power and Outlets:** Video system components require 3 dedicated 20 amp circuits. Outlets are three wire grounded standard wall outlets. The number and location of the video system components determine the number of outlets.

It is suggested if **Neon Signage** is used to be at least 10’ from the VLT’s to reduce Touch Screen interference.

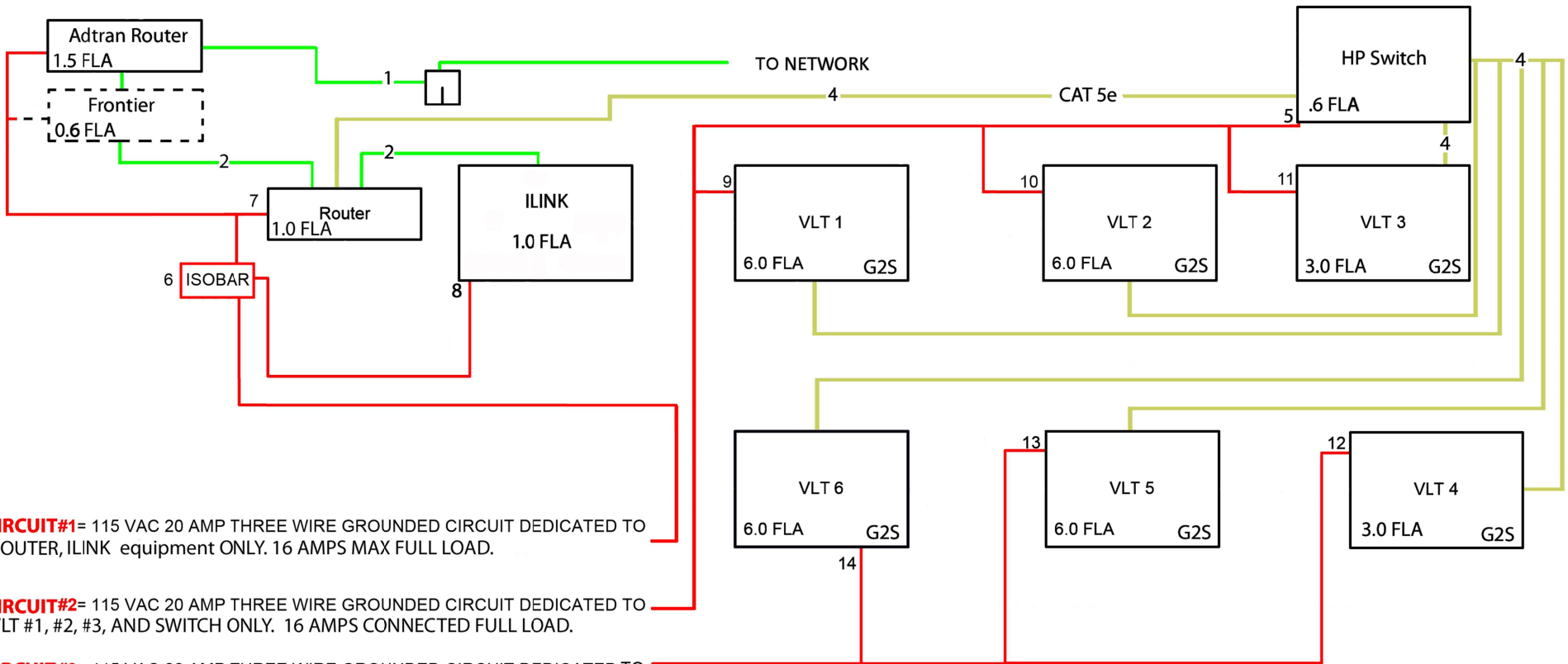
Install a faceplate or biscuit device at each end of the Cat 5e cable run, one near the HP or Cisco router end and one near the VLT switch end. A faceplate, biscuit or a combination of both maybe used at each end.

- Ensure that the distance between the HP router and corresponding biscuits or faceplate is 3 feet or less. (**Note:** Any exceptions to this item will need to be approved by Lottery prior to work being completed.)
- Ensure that the distance between the VLTs and corresponding biscuit or faceplate in the VLT Area is 5 feet or less. (**Note:** Any exceptions to this item will need to be approved by Lottery prior to work being completed.)
- Oregon Lottery has labeling standards for each faceplate and or biscuit installed that need to be adhered to. Each faceplate/biscuit will need to be labeled with the following information:
  - **OSL Cat 5e**
- Provide opportunity for Lottery retailer to select from the following Lottery standard colors for faceplates or biscuits: White, Beige, Black/Dark Brown.

**Your Area Logistic Specialists will contact you to schedule a meeting with your licensed electrical contractor and Lottery representatives to plan the installation of the video gaming system.**

To schedule VLT terminal relocations, contact your Area Coordinator at **1-800-766-6789** two weeks prior to the move.

# Typical Wiring Diagram



**CIRCUIT#1**= 115 VAC 20 AMP THREE WIRE GROUNDED CIRCUIT DEDICATED TO ROUTER, ILINK equipment ONLY. 16 AMPS MAX FULL LOAD.

**CIRCUIT#2**= 115 VAC 20 AMP THREE WIRE GROUNDED CIRCUIT DEDICATED TO VLT #1, #2, #3, AND SWITCH ONLY. 16 AMPS CONNECTED FULL LOAD.

**CIRCUIT#3**= 115 VAC 20 AMP THREE WIRE GROUNDED CIRCUIT DEDICATED TO VLT #4, #5, and #6 ONLY. 16 AMPS CONNECTED FULL LOAD.

**1 = NETWORK DATA CONNECTION** U.T.P. 4 PAIR, CAT 5e RJ45 TO RJ45 PATCH CABLE (BY LOTTERY)

**2 = PATCH CABLE** U.T.P. 4 PAIR (BY LOTTERY)

**4 = CAT 5e** CABLE FOR THE EGM WIRING. THE CABLE MUST BE RUN FOLLOWING PROPER ELECTRICAL CODES AND REQUIREMENTS. INSTALL CABLE POINT-TO-POINT BETWEEN LOTTERY'S HP MRS930 OR CISCO 1841 ROUTER AND THE EGM/VLT AREA. CABLE SHALL BE DROPPED NEAREST TO WHERE THE MAJORITY OF THE VLTS ARE LOCATED. THE CABLE CANNOT EXCEED 300'. ADDITIONAL EGM WIRING REQUIREMENTS PROVIDED ON SEPARATE DOCUMENT.

**6 = ISOBAR** TRANSIENT VOLTAGE SURGE SUPPRESSER MODEL #ISOBAR 8ULTRA

**5 7 8** = EQUIPMENT SUPPLIED WITH A 115 VAC 15 AMP NEMA 5-15P THREE  
**9 10** WIRE GROUNDING CORD. INSTALL ONE, 115 VAC 20 AMP NEMA 520R  
**11 12** DUPLEX RECEPTACLE NO FURTHER THAN FIVE FEET FROM EACH  
**13 14** EQUIPMENT

**NOTICE OF PROPRIETARY MATERIAL:**

THE INFORMATION CONTAINED IN THIS DOCUMENT IS PROPRIETARY TO THE OREGON LOTTERY AND MAY BE USED ONLY IN ACCORDANCE WITH WRITTEN AGREEMENT WITH THE OREGON LOTTERY. IT IS UNLAWFUL TO COPY OR REPRODUCE THIS DOCUMENT OR ANY PART THEREOF IN ANY MEDIA OR TO USE REFERENCE SAME EXCEPT FOR PURPOSES IN THE MEANS AND QUANTITIES SPECIFIED IN WRITTEN AGREEMENT WITH THE OREGON LOTTERY.

**Power RED**

**CAT 5e GOLD**

**EGM GREEN**